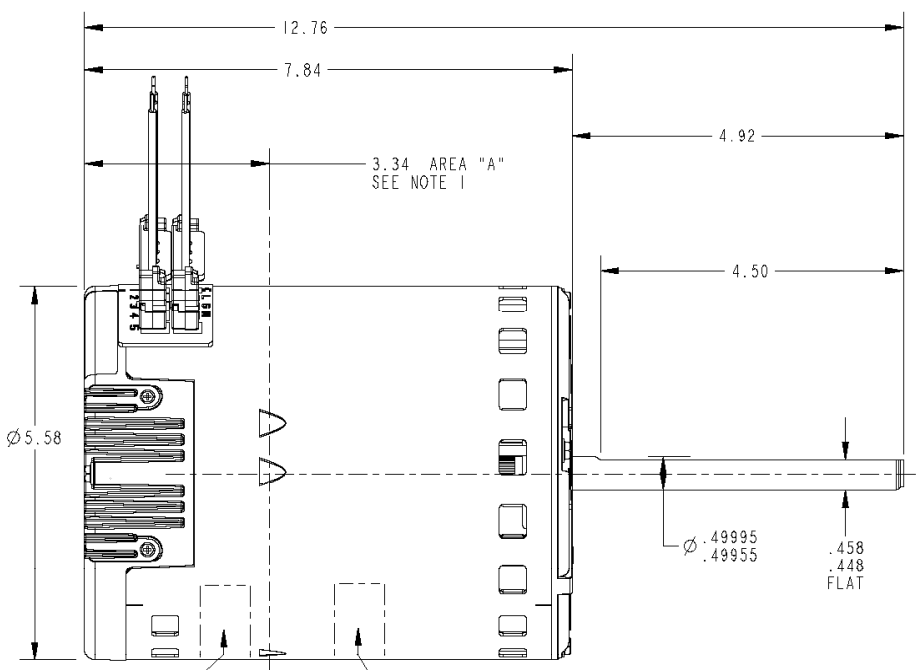
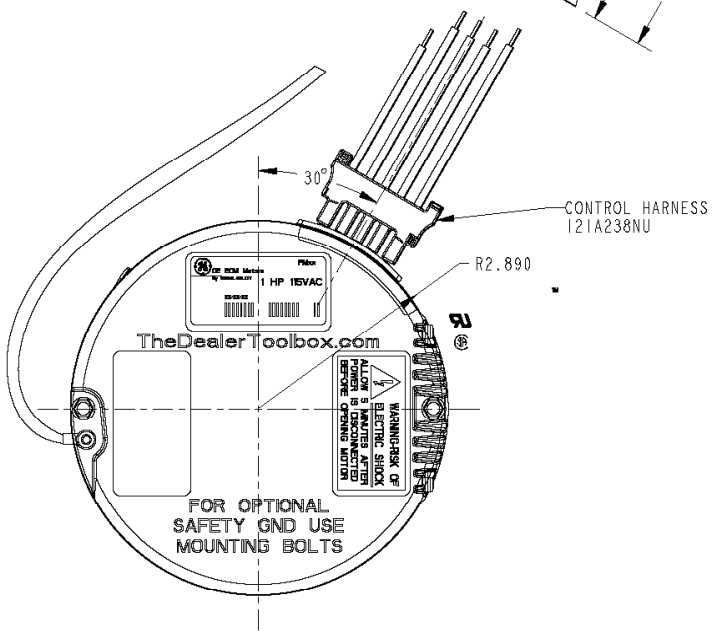
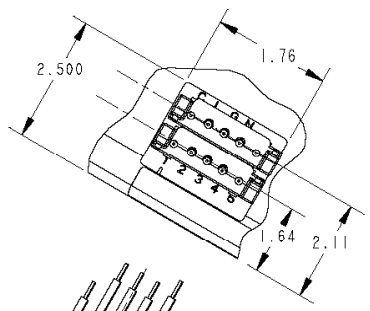




RBC PROPRIETARY AND CONFIDENTIAL INFORMATION

This document is the property of REGAL BELOIT Corporation ("RBC") including its subsidiaries and divisions and contains proprietary information of RBC. This document is loaned on the express condition that neither it nor the information contained therein shall be disclosed to others without the express written consent of RBC, and that the information shall be used by the recipient only as approved expressly by RBC. This document shall be returned to RBC upon its request. This document may be subject to certain restrictions under U.S. export control laws and regulations.

REVISIONS			
REV.	DESCRIPTION	DATE	APPROVED
1	MODIFIED PER ISO8-4376	10/15/08	DONN
2	ADDED NOTE #3 AS PER IS-09-4471	11/12/09	ANDREW.B



24B200199AB-P3 24X350071-P1

FOR ADDITIONAL INFO REFER TO:	SIGNATURES	DATE
APPLIED PRACTICES	MODEL GEETHA	08/28/08
DIMENSIONS ARE IN INCHES	DETAIL GEETHA	08/28/08
TOLERANCE ON:	CHECKED GEETHA	08/28/08
1 PL DECIMALS ± 0.0	ENGRG	08/28/08
2 PL DECIMALS ± 0.02	MFG	
3 PL DECIMALS ± 0.005	QUALITY	
ANGLES ± 1.0	ISSUED	08/28/08
FRACTIONS ±		
FINISH		
MATERIAL	SOLID MODEL: 5SME39SXL111	

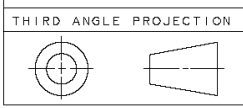
REGAL BELOIT CORPORATION

REGAL BELOIT

TITLE: **OUTLINE EVERGREEN IM 1 HP 115 VOLT OR 230 VOLT**

SIZE DRAWING: **5SME39SXL111** REV: **2**

SCALE: 0.560 REF. No. SHEET 1 of 1



NOTES:

- BELLY BAND MUST NOT BE PLACED WITHIN AREA "A"
- APPROXIMATE WEIGHT IS 11.4 LBM.
- CONTROL LEAD HARNESS SHOWN IS TO BE ATTACHED TO MOTOR BY CUSTOMER